

BOMBAS GRUNDFOS COMFORT 15-14 B TA

GRUNDFOS 

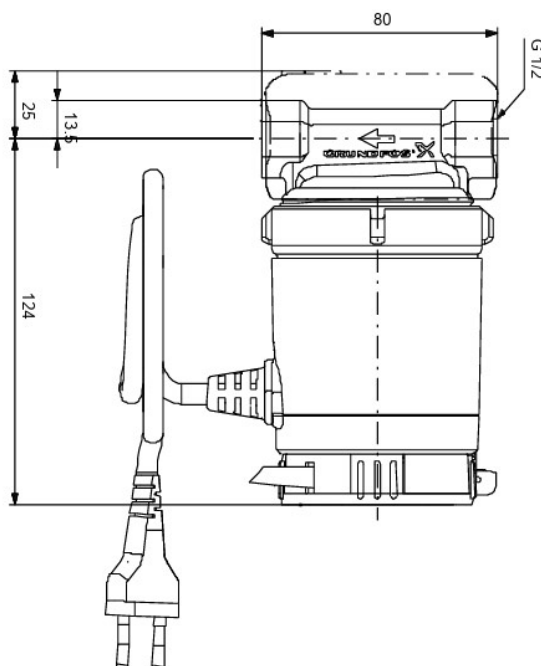
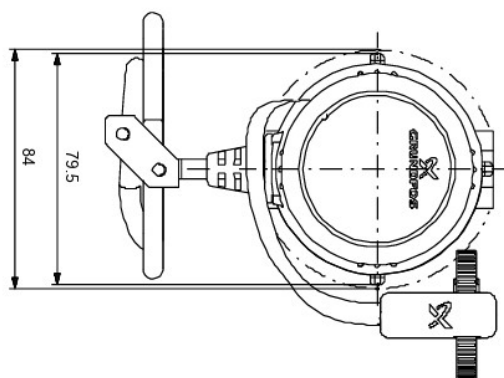
DESCRIPCIÓN

The Grundfos Comfort BA PM and BXA PM pumps are designed for recirculation of domestic hot water in single-family and two-family houses securing hot water instantly to all faucets. The pumps have a corrosion-resistant pump housing suitable for drinking water and are powered by a single-phase, high-efficiency ECM with permanent-magnet rotor. The AUTOADAPT function incorporates an event log that learns the scheme of demand for hot water in the domestic hot-water system. Via the event log, the pump predicts when to start circulating hot water ensuring hot water is instantly available at all use points. Should the consumption pattern change, for example during holidays, the pump will recognise the standstill after 24 hours and automatically adapts to holiday mode. When returning from holiday, the pump will automatically resume the same consumption pattern as before the holiday. The unique AUTOADAPT feature is saving up to 48 % heat energy and 97 % motor energy compared with a standard pump in continuous operation. Additionally, the pump can be set to temperature control mode and continuous operation 100 % for commissioning of the pump or 24 hours instant hot water. The pumps are equipped with a flushing and disinfection function which automatically circulates water to protect against bacterial growth in the pipes. COMFORT BXA PM has a built-in isolating valve and a non-return valve (fitting). This ensures that maintenance can be carried out without draining the system. The non-return valve also prevents reversed flow during operation.



Código: AC33551

DIMENSIONES (mm):



CARACTERÍSTICAS PRINCIPALES

Panel de control

El modo de funcionamiento incluye: Temperature

Líquido

Líquido bombeado: Agua

Rango de temperatura del líquido: 2 .. 95 °C

Temperatura del líquido durante el funcionamiento: 60 °C

Densidad: 983.2 kg/m³

Técnico

N.º de velocidad: 1

Caudal nominal: 0.45 m³/h

Altura nominal: 0.9 m

Altura máxima: 14 dm

Clase TF: 95

Homologaciones: CE, VDE, EAC, WEEE

Materiales

Cuerpo hidráulico: Latón

Carcasa de la bomba: CuZn39Pb3, MS58

Impulsor

Impulsor: Composite

PPO-GF20/Stainless steel

Instalación

Temperatura ambiente mínima: 0 °C

Presión de trabajo máxima: 10 bar

Normativa de conexión de tubería: ISO 228-1

Tipo de conexión: Rp
Tamaño de la conexión: 1/2 inch
Presión nominal para la conexión: PN 10
Longitud puerto a puerto: 80 mm

Datos eléctricos

Potencia de entrada máx.: 7 W
Frecuencia de red: 50 / 60 Hz
Tensión nominal: 1 x 230 V
Corriente en velocidad 3: 0.07 A
Grado de protección (IEC 34-5): IP44
Clase de aislamiento (IEC 85): F

Protección estándar Ex: ELECT.
Protec. térmica: Protección por impedancia

Otros

Peso neto: 0.98 kg
Peso bruto: 1.08 kg
Volumen de transporte: 0.003 m³
VVS danés n.º: 380634014
RSK sueco n.º: 5803088
NRF noruego n.º: 9042115
País de origen.: DE
Tarifa personalizada n.º: 84137030

CURVA:

