

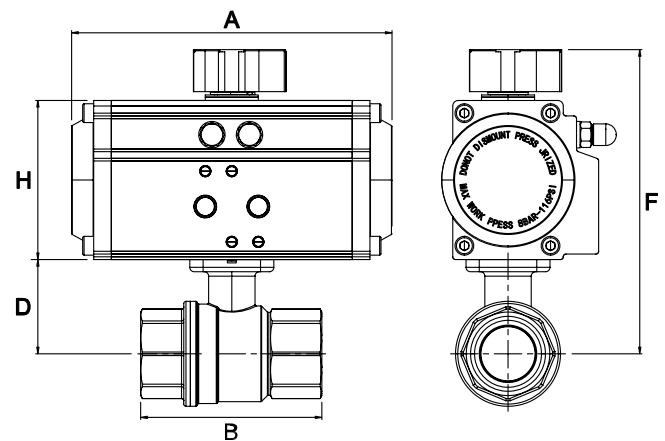
VÁLVULA BOLA LATÓN

CON ACTUADOR NEUMÁTICO

BRASS BALL VALVE WITH PNEUMATIC ACTUATOR

CARACTERÍSTICAS

- Construcción: **Latón Niquelado**
Construction: Nickel-plated brass
- Eje: **No eyectable**
Axis: Not eyectable
- Triple estanqueidad en el eje: **2 juntas de P.T.F.E. virgen y junta tórica de fluoroelastómero**
Triple seal on the shaft: 2 P.T.F.E joints virgin and O-ring Fluoroelastomer
- Asientos: **P.T.F.E.**
Seats: P.T.F.E
- Conexión: **Rosca gas DIN-2999**
Connection: Gas thread connection DIN-2999
- Presión: **PN-40 de 1/2" a 1"**
PN-25 de 1 1/4" a 2"
PN-20 de 2 1/2" a 4"
Pressure: PN-40 from 1/2" to 1"
PN-25 1 1/4" to 2"
PN-20 from 2 1/2" to 4"
- Temperatura: **-20 °C a + 120 °C**
Temperature: -20 °C a + 120 °C



| Código Code | Medida Size | Actuador / Actuator | | A (mm) | B (mm) | D (mm) | F (mm) | H (mm) | Peso (Kg) Weight |
|----------------|----------------|---------------------|---|-----------|-----------|-----------|-----------|-----------|---------------------|
| | | Modelo / Model | Tipo / Type | | | | | | |
| CO60401 | 1/2" | CHCN052 | DOBLE EFECTO <i>Double acting</i> | 116 | 62 | 30,1 | 110,1 | 60 | <i>Consultar</i> |
| CO60402 | 3/4" | CHCN052 | | 116 | 68 | 33,35 | 113,35 | 60 | <i>Consultar</i> |
| CO60403 | 1" | CHCN052 | | 116 | 82 | 42,65 | 122,65 | 60 | 1,25 |
| CO60404 | 1 1/4" | CHCN052 | | 116 | 95 | 48,15 | 128,15 | 60 | 1,58 |
| CO60405 | 1 1/2" | CHCN063 | | 145 | 107 | 63,5 | 155,5 | 72 | 2,73 |
| CO60406 | 2" | CHCN063 | | 145 | 125 | 70,5 | 162,5 | 72 | 3,56 |
| CO60411 | 1/2" | CHCN052SR | SIMPLE EFECTO <i>Singleacting</i> | 145 | 62 | 30,1 | 122,1 | 72 | <i>Consultar</i> |
| CO60412 | 3/4" | CHCN052SR | | 145 | 68 | 33,35 | 125,35 | 72 | <i>Consultar</i> |
| CO60413 | 1" | CHCN063SR | | 145 | 82 | 42,65 | 134,65 | 72 | 1,89 |
| CO60414 | 1 1/4" | CHCN063SR | | 145 | 95 | 48,15 | 140,15 | 72 | 2,22 |
| CO60415 | 1 1/2" | CHCN075SR | | 145 | 107 | 63,5 | 155,5 | 72 | 2,83 |
| CO60416 | 2" | CHCN083SR | | 201 | 125 | 70,5 | 190,5 | 100 | 5,46 |