

ELECTROBOMBAS CENTRÍFUGAS NORMALIZADAS "EN 733"

50 Hz $n=2900 \text{ min}^{-1}$



Agua limpia



Uso
industrial

CAMPO DE PRESTACIONES:

- Caudal hasta 6000 l/min (360 m³/h)
- Altura manométrica hasta 98 m

LÍMITES DE USO:

- Altura de aspiración manométrica hasta 7 m
- Temperatura del líquido de -10 °C hasta +90 °C
- Temperatura ambiente de -10 °C hasta +40 °C
- Presión máxima en el cuerpo bomba 10 bar (PN10)
- Funcionamiento continuo S1

EJECUCION Y NORMAS DE SEGURIDAD:

- EN 60335-1
- EN 60034-1
- IEC 60335-1
- IEC 60034-1
- CEI 61-150
- CEI 2-3



Dimensiones del cuerpo de la bomba conformes a la norma **EN 733 REGLAMENTO (UE) N. 547/2012**

CERTIFICACIONES:

Empresa con sistema de gestión certificado
DNV ISO 9001: CALIDAD



USOS E INSTALACIONES:

- Abastecimiento hídrico
- Instalaciones de lavado
- Presurización
- Instalaciones Anti Incendio
- Irrigación
- Industria
- Circulación del agua
- Agricultura en instalaciones de climatización



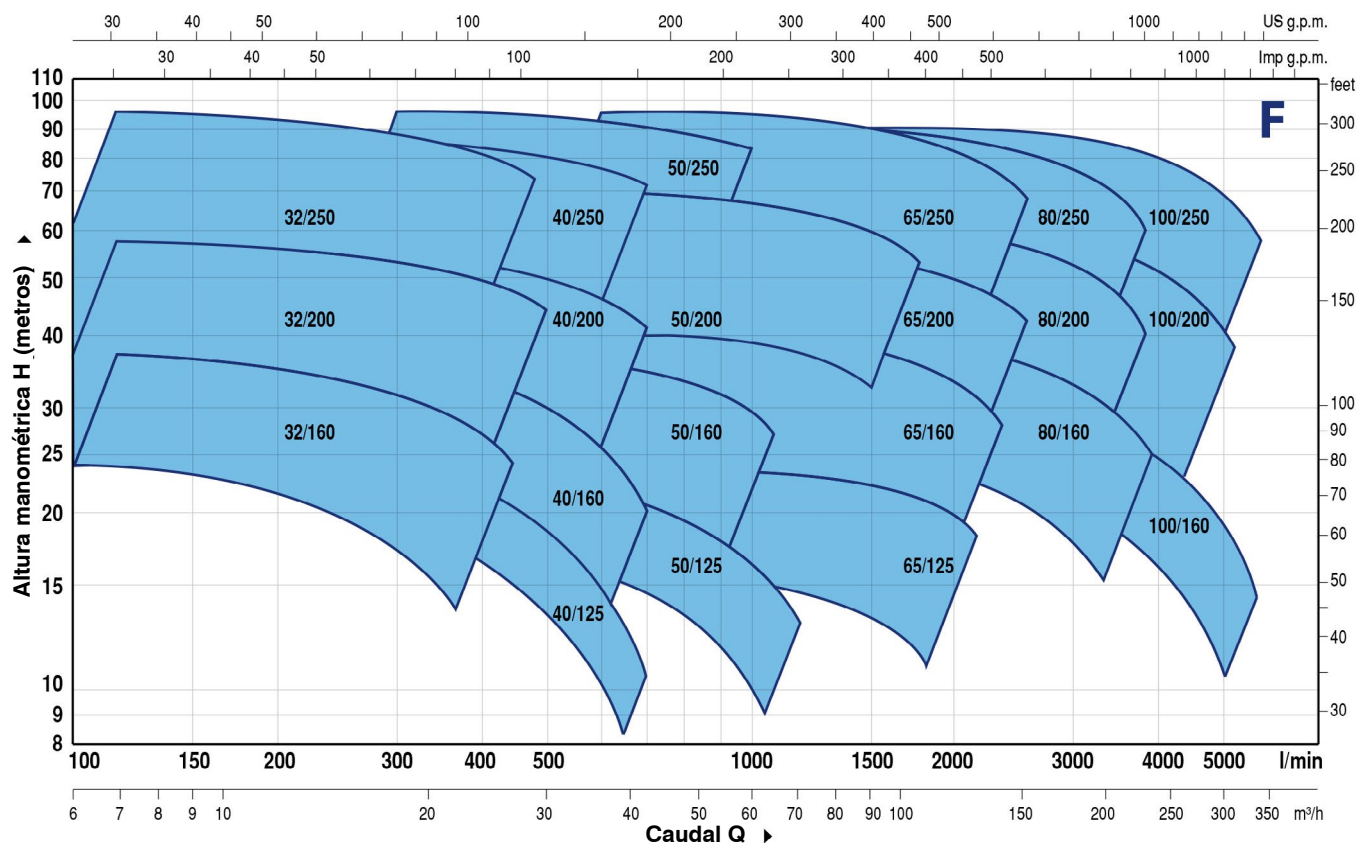
La instalación se debe realizar en lugares cerrados, bien aireados y protegidos de la intemperie.

EJECUCION BAJO PEDIDO:

- KIT contrabridas completo de tornillos, tuercas y juntas
- Sello mecánico especial
- Otros voltajes o frecuencia 60 Hz
- Para líquidos con temperaturas más altas o más bajas
- Para ambientes con temperaturas más altas o más bajas

CAMPO DE PRESTACIONES:

50 Hz n = 2900 min⁻¹



DATOS DE PRESTACIONES:

| CÓDIGO | MODELO | POTENCIA (P2) | | ▲ | PRESTACIONES | |
|---------|------------|---------------|------|-----------|--------------|-----------|
| | | kW | HP | | Q l/min | H metros |
| AC43581 | F 32/160C | 1.5 | 2 | IE3 | 100 - 350 | 24 - 14 |
| AC43582 | F 32/160B | 2.2 | 3 | | 100 - 400 | 30 - 17 |
| AC43583 | F 32/160A | 3 | 4 | | 100 - 450 | 37 - 24 |
| AC43584 | F 32/200C | 4 | 5.5 | | 100 - 450 | 44 - 31.5 |
| AC43585 | F 32/200B | 5.5 | 7.5 | | 100 - 500 | 51 - 36 |
| AC43586 | F 32/200A | 7.5 | 10 | | 100 - 500 | 57 - 44 |
| AC43587 | F 32/200BH | 3 | 4 | | 100 - 300 | 45 - 37 |
| AC43588 | F 32/200AH | 4 | 5.5 | | 100 - 320 | 55 - 44 |
| AC43589 | F 32/250C | 9.2 | 12.5 | | 100 - 450 | 75 - 60 |
| AC43590 | F 32/250B | 11 | 15 | | 100 - 500 | 87 - 70 |
| AC43591 | F 32/250A | 15 | 20 | 100 - 500 | 97 - 80 | |
| AC43595 | F 40/125C | 1.1 | 1.5 | IE3 | 100 - 550 | 16 - 6 |
| AC43596 | F 40/125B | 1.5 | 2 | | 100 - 600 | 20.5 - 9 |
| AC43597 | F 40/125A | 2.2 | 3 | | 100 - 700 | 26 - 10 |
| AC43598 | F 40/160C | 2.2 | 3 | | 100 - 600 | 27 - 14 |
| AC43599 | F 40/160B | 3 | 4 | | 100 - 600 | 32 - 20 |
| AC43600 | F 40/160A | 4 | 5.5 | | 100 - 700 | 38 - 20 |
| AC43601 | F 40/200B | 5.5 | 7.5 | | 100 - 700 | 47 - 28 |
| AC43602 | F 40/200A | 7.5 | 10 | | 100 - 700 | 55 - 41 |
| AC43603 | F 40/250C | 9.2 | 12.5 | | 100 - 700 | 64 - 47 |
| AC43604 | F 40/250B | 11 | 15 | | 100 - 700 | 71 - 55 |
| AC43605 | F 40/250A | 15 | 20 | 100 - 700 | 88 - 72 | |
| AC43609 | F 50/125C | 2.2 | 3 | IE3 | 300 - 1200 | 17.5 - 6 |
| AC43610 | F 50/125B | 3 | 4 | | 300 - 1200 | 20.7 - 9 |
| AC43611 | F 50/125A | 4 | 5.5 | | 300 - 1200 | 23.5 - 13 |
| AC43612 | F 50/160C | 4 | 5.5 | | 300 - 1000 | 27 - 16 |
| AC43613 | F 50/160B | 5.5 | 7.5 | | 300 - 1100 | 32 - 21 |
| AC43614 | F 50/160A | 7.5 | 10 | | 300 - 1100 | 37 - 27 |
| AC43615 | F 50/200C | 11 | 15 | | 400 - 1700 | 44 - 30 |
| AC43616 | F 50/200B | 15 | 20 | | 400 - 1700 | 52 - 38 |
| AC43617 | F 50/200A | 18.5 | 25 | | 400 - 1800 | 61 - 45 |
| AC43618 | F 50/200AR | 22 | 30 | | 400 - 1800 | 69 - 53 |
| AC43619 | F 50/250D | 9.2 | 12.5 | IE3 | 300 - 900 | 51 - 32 |
| AC43620 | F 50/250C | 11 | 15 | | 300 - 900 | 59 - 42 |
| AC43621 | F 50/250B | 15 | 20 | | 300 - 1000 | 72 - 59 |
| AC43622 | F 50/250A | 18.5 | 25 | | 300 - 1000 | 85 - 73 |
| AC43623 | F 50/250AR | 22 | 30 | | 300 - 1000 | 95 - 83 |

| CÓDIGO | MODELO | POTENCIA (P2) | | ▲ | PRESTACIONES | | |
|---------|------------|---------------|------|-------------|--------------|-------------|-----------|
| | | kW | HP | | Q l/min | H metros | |
| AC43624 | F 65/125C | 4 | 5.5 | IE3 | 600 - 1800 | 16 - 11 | |
| AC43625 | F 65/125B | 5.5 | 7.5 | | 600 - 2000 | 18 - 13 | |
| AC43626 | F 65/125A | 7.5 | 10 | | 600 - 2200 | 23 - 18 | |
| AC43627 | F 65/160C | 9.2 | 12.5 | | 600 - 2200 | 32 - 22 | |
| AC43628 | F 65/160B | 11 | 15 | | 600 - 2400 | 36.5 - 23 | |
| AC43629 | F 65/160A | 15 | 20 | | 600 - 2400 | 40.5 - 28 | |
| AC43630 | F 65/200B | 15 | 20 | | 200 - 2400 | 44 - 30.5 | |
| AC43631 | F 65/200A | 18.5 | 25 | | 200 - 2500 | 50 - 36.5 | |
| AC43632 | F 65/200AR | 22 | 30 | | 200 - 2600 | 57 - 42 | |
| AC43633 | F 65/250C | 30 | 40 | | 400 - 2350 | 76 - 53 | |
| AC43634 | F 65/250B | 37 | 50 | 400 - 2500 | 87 - 62 | | |
| AC43635 | F 65/250A | 45 | 60 | 400 - 2600 | 95 - 68 | | |
| AC43636 | F 80/160D | 11 | 15 | IE3 | 500 - 4000 | 25 - 10 | |
| AC43637 | F 80/160C | 15 | 20 | | 500 - 4000 | 30 - 15 | |
| AC43638 | F 80/160B | 18.5 | 25 | | 500 - 4000 | 35 - 20 | |
| AC43639 | F 80/160A | 22 | 30 | | 500 - 4000 | 40 - 25 | |
| AC43640 | F 80/200B | 30 | 40 | | 500 - 3650 | 56 - 34.5 | |
| AC43641 | F 80/200A | 37 | 50 | | 500 - 3900 | 62 - 40 | |
| AC43642 | F 80/250B | 45 | 60 | | 600 - 3600 | 77 - 54 | |
| AC43643 | F 80/250A | 55 | 75 | | 600 - 3900 | 88.5 - 60 | |
| AC43644 | F 100/160C | 15 | 20 | | IE3 | 1000 - 5000 | 30 - 12 |
| AC43645 | F 100/160B | 18.5 | 25 | | | 1000 - 5200 | 34 - 14.5 |
| AC43646 | F 100/160A | 22 | 30 | 1000 - 5500 | | 38 - 17.5 | |
| AC43647 | F 100/200C | 30 | 40 | 833 - 4650 | | 51 - 28 | |
| AC43648 | F 100/200B | 37 | 50 | 833 - 4900 | | 57 - 33 | |
| AC43649 | F 100/200A | 45 | 60 | 833 - 5250 | | 63 - 38 | |
| AC43650 | F 100/250B | 55 | 75 | 800 - 5150 | | 75 - 48 | |
| AC43651 | F 100/250A | 75 | 100 | 800 - 5750 | | 89 - 58 | |

Q = Caudal

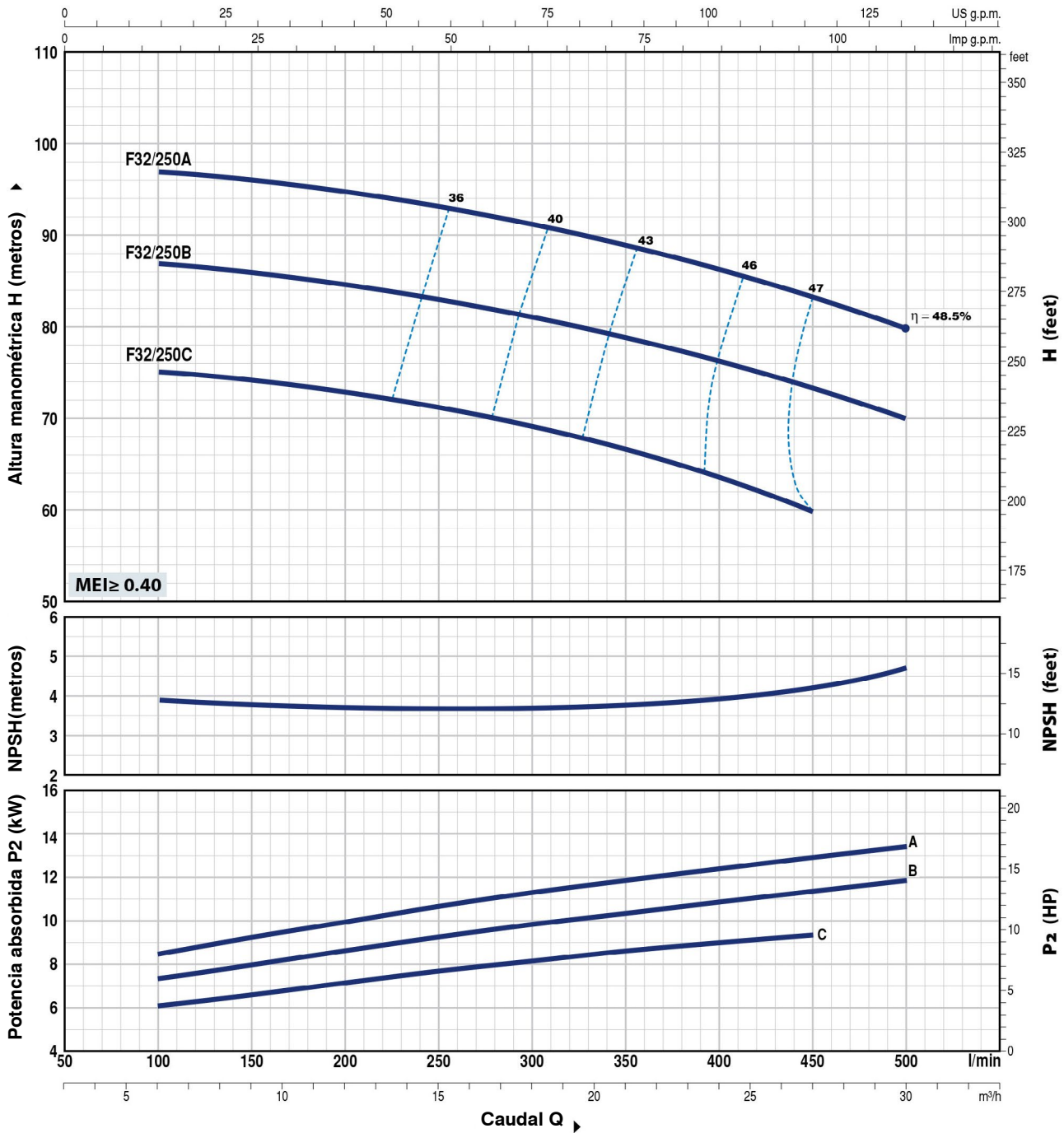
H = Altura manométrica total

Tolerancia de las curvas de prestación según EN ISO 9906 Grado 3B.

▲ Clase de rendimiento del motor trifásico (IEC 60034-30-1)

CURVAS Y DATOS DE PRESTACIONES F32/250:

50 Hz n= 2900 min⁻¹ HS= 0 m



| CÓDIGO | MODELO | POTENCIA (P2) | | Q | Caudal Q | | | | | | | | | | | | |
|-----------|-----------|---------------|------|----------|----------|-----|------|-----|------|------|-----|------|------|-----|----|--|--|
| | | kW | HP | | m³/h | 0 | 6 | 9 | 12 | 15 | 18 | 21 | 24 | 27 | 30 | | |
| Trifásica | | | | | 0 | 100 | 150 | 200 | 250 | 300 | 350 | 400 | 450 | 500 | | | |
| AC43589 | F 32/250C | 9.2 | 12.5 | H metros | 76 | 75 | 74.5 | 73 | 71.5 | 69.5 | 67 | 64 | 60 | - | | | |
| AC43590 | F 32/250B | 11 | 15 | | 88 | 87 | 86 | 85 | 83 | 81 | 79 | 76.5 | 73.5 | 70 | | | |
| AC43591 | F 32/250A | 15 | 20 | | 98 | 97 | 96 | 95 | 93 | 91 | 89 | 86.5 | 83.5 | 80 | | | |

Q =Caudal H =Altura manométrica total HS = Altura de aspiración

Tolerancia de las curvas de prestación según EN ISO 9906 Grado 3B.

POS. COMPONENTE CARACTERISTICAS CONSTRUCTIVAS

| | |
|-----------------------|---------------------------------------------------------------------------------------------------------------------------------------------------------------------------------------------------------------------------------|
| 1 CUERPO BOMBA | Hierro fundido con bocas de aspiración e impulsión con bridas |
| 2a TAPA | Hierro fundido para F32/160, F32/200, F40/125, F40/160, F40/200, F50/125, F50/160, F65/125 |
| 2b SOPORTE | Hierro fundido para F32/250, F40/250, F50/200, F50/250, F65/160, F65/200, F65/250, F80/160, F80/200, F80/250, F100/160, F100/200, F100/250 |
| 3 RODETE | Latón para F32/160, F32/200, F40/125, F40/160, F40/200, F50/125, F50/160 Hierro fundido para F32/250, F40/250, F50/200, F50/250, F65/125, F65/160, F65/200, F65/250, F80/160, F80/200, F80/250, F100/160, F100/200, F100/250 |

4 EJE MOTOR Acero inoxidable AISI 431

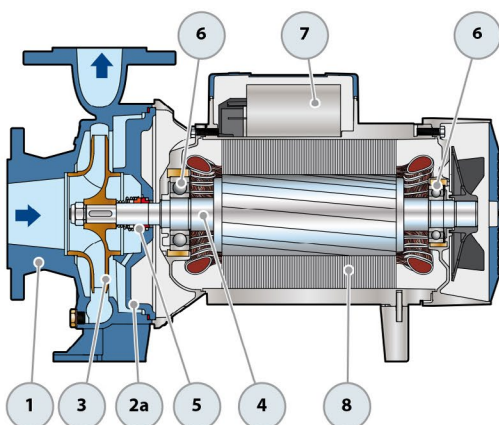
| 5 SELLO MECÁNICO | Electrobomba | Sello | Eje | Materiales | | |
|-------------------------|----------------------------------------------|-----------------|-----------------|--------------------|---------------------|-------------------|
| | Modelo | Modelo | Diámetro | Anillo fijo | Anillo móvil | Elastómero |
| | F32/160, F40/125, F40/160, F50/125 | FN-20 | Ø20 mm | Grafito | Cerámica | NBR |
| | F32/200, F40/200, F50/160, F65/125 | FN-24 | Ø24 mm | Grafito | Cerámica | NBR |
| | F50/200, F65/160, F65/200, F80/160, F100/160 | FN-32 UN | Ø32 mm | Grafito | Cerámica | NBR |
| | F32/250, F40/250, F50/250 | FN-38 | Ø38 mm | Grafito | Cerámica | NBR |
| | F65/250, F80/200, F80/250B, F100/200 | FN-40 UN | Ø40 mm | Grafito | Cerámica | NBR |
| | F80/250A, F100/250 | FH-45 UN | Ø45 mm | Grafito | Cerámica | NBR |

| 6 RODAMIENTOS | Electrobomba | Modelo | Electrobomba | Modelo |
|----------------------|---------------------|---------------------------------|---------------------|--------------------------------|
| | F32/160C | 6206 ZZ-C3 / 6204 ZZ | F32/250 | 6310 ZZ-C3 / 6308 ZZ-C3 |
| | F32/160B | | F50/200 | |
| | F40/125 | | F40/250 | |
| | F40/125C | | F65/160 | |
| | Fm32/160B | 6206 ZZ-C3 / 6205 ZZ | F50/250 | 6312 ZZ-C3 / 6212 ZZ-C3 |
| | Fm40/160C | | F80/160 | |
| | Fm50/125C | | F65/200 | |
| | F32/160A | | F100/160 | |
| | F40/160C | 6306 ZZ-C3 / 6206 ZZ-C3A | F65/250 | 6314 ZZ-C3 / 6313 ZZ-C3 |
| | F40/160B | | F80/200 | |
| | F50/125A | | F80/250B | |
| | F40/160A | | F100/200 | |
| | F32/200 | 6307 ZZ-C3 / 6206 ZZ-C3 | F80/250A | |
| | F50/160 | | F100/250 | |
| | F40/200 | | | |
| | F65/125 | | | |

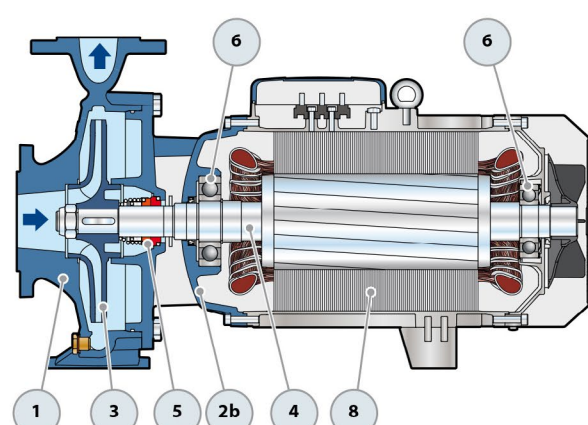
| 7 CONDENSADOR | Electrobomba | Capacidad |
|----------------------|---------------------|-------------------------|
| | Monofásica | (230V o 240V) |
| | Fm32/160C | 45 µF - 450 VL |
| | Fm32/160B | 70 µF - 450 VL |
| | Fm40/125C | 31.5 µF - 450 VL |
| | Fm40/125B | 45 µF - 450 VL |
| | Fm40/160C | 70 µF - 450 VL |
| | Fm50/125C | 70 µF - 450 VL |

8 MOTOR ELÉCTRICO Fm: monofásica 230 V - 50 Hz con protección térmica incorporada en el bobinado (hasta 1.5 kW)
F: trifásica 230/400 V - 50 Hz hasta 4 kW
 400/690 V - 50 Hz de 5.5 a 75 kW

* Las electrobombas trifásicas están equipadas con motores de alto rendimiento en clase IE3 (IEC 60034-30)
 ** Aislamiento: clase F – Protección: IP 55



Versión monofásica



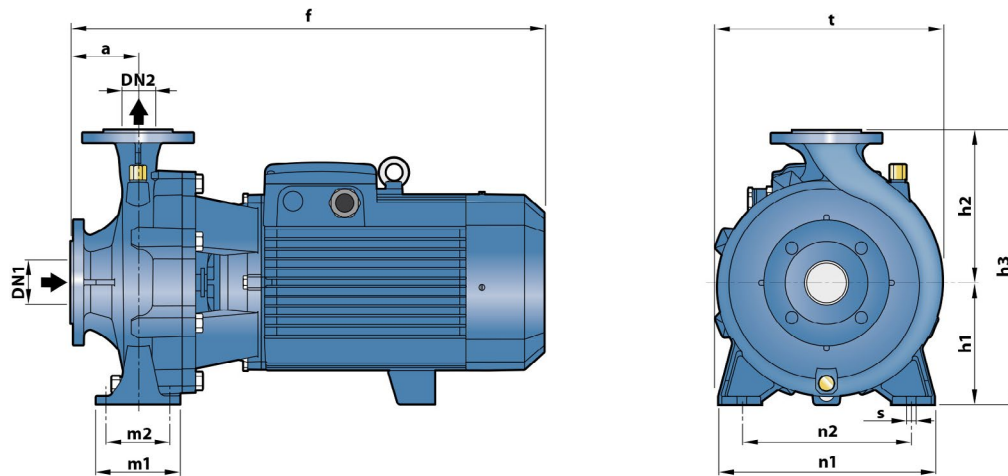
Versión trifásica

CONSUMO EN AMPERIOS

| MODELO Monofásica | TENSIÓN 230 V |
|----------------------|------------------|
| Fm 32/160C | 11.0 A |
| Fm 32/160B | 15.0 A |
| Fm 40/160C | 15.0 A |
| Fm 50/125C | 15.0 A |

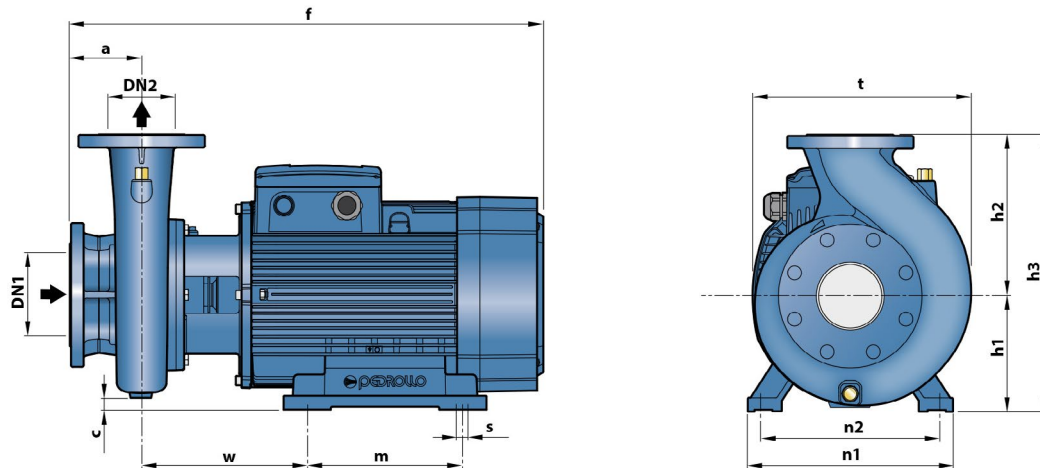
| MODELO Trifásica | TENSIÓN | |
|---------------------|-----------|-----------|
| | 230-240 V | 400-415 V |
| F 32/160C | 7.5 A | 4.3 A |
| F 32/160B | 8.65 A | 5.0 A |
| F 32/160A | 12.6 A | 7.3 A |
| F 32/200C | 17.9 A | 10.3 A |
| F 32/200B | - | 11.7 A |
| F 32/200A | - | 14.9 A |
| F 32/200BH | 12.6 A | 7.3 A |
| F 32/200AH | 15.4 A | 8.9 A |
| F 32/250C | - | 18.5 A |
| F 32/250B | - | 22.0 A |
| F 32/250A | - | 25.0 A |
| F 40/125C | 5.2 A | 3.0 A |
| F 40/125B | 7.7 A | 4.5 A |
| F 40/125A | 9.0 A | 5.2 A |
| F 40/160C | 9.9 A | 5.7 A |
| F 40/160B | 12.0 A | 6.9 A |
| F 40/160A | 17.2 A | 9.9 A |
| F 40/200B | - | 12.6 A |
| F 40/200A | - | 15.6 A |
| F 40/250C | - | 21.0 A |
| F 40/250B | - | 23.5 A |
| F 40/250A | - | 30.5 A |
| F 50/125C | 9.4 A | 5.4 A |
| F 50/125B | 12.0 A | 6.9 A |
| F 50/125A | 16.3 A | 9.4 A |
| F 50/160C | 15.8 A | 9.1 A |
| F 50/160B | - | 12.3 A |
| F 50/160A | - | 15.5 A |
| F 50/200C | - | 23.0 A |
| F 50/200B | - | 29.5 A |
| F 50/200A | - | 34.5 A |
| F 50/200AR | - | 41.5 A |

| MODELO Trifásica | TENSIÓN | |
|---------------------|-----------|-----------|
| | 230-240 V | 400-415 V |
| F 50/250D | - | 19.0 A |
| F 50/250C | - | 21.0 A |
| F 50/250B | - | 27.0 A |
| F 50/250A | - | 34.0 A |
| F 50/250AR | - | 41.0 A |
| F 65/125C | 17.5 A | 10.0 A |
| F 65/125B | - | 12.0 A |
| F 65/125A | - | 16.5 A |
| F 65/160C | - | 19.0 A |
| F 65/160B | - | 23.0 A |
| F 65/160A | - | 27.5 A |
| F 65/200B | - | 30.0 A |
| F 65/200A | - | 34.0 A |
| F 65/200AR | - | 41.0 A |
| F 65/250C | - | 53.0 A |
| F 65/250B | - | 65.0 A |
| F 65/250A | - | 79.0 A |
| F 80/160D | - | 22.0 A |
| F 80/160C | - | 29.0 A |
| F 80/160B | - | 34.5 A |
| F 80/160A | - | 39.0 A |
| F 80/200B | - | 53.0 A |
| F 80/200A | - | 65.0 A |
| F 80/250B | - | 79.0 A |
| F 80/250A | - | 98.0 A |
| F 100/160C | - | 27.5 A |
| F 100/160B | - | 32.5 A |
| F 100/160A | - | 39.8 A |
| F 100/200C | - | 53.0 A |
| F 100/200B | - | 65.0 A |
| F 100/200A | - | 79.0 A |
| F 100/250B | - | 98.0 A |
| F 100/250A | - | 126.0 A |

DIMENSIONES Y PESOS:


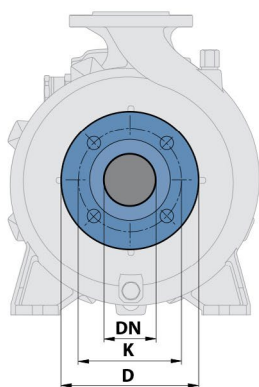
| MODELO | | DIMENSIONES mm | | | | | | | | | | | | | kg | | | | | | | | | | |
|------------|------------|----------------|-----|-------|---------|-------|-------|-----|-----|-------|-------|------|-------|----|-------|------|-------|-----|-----|-----|-----|----|------|------|------|
| Monofásica | Trifásica | DN1 | DN2 | a | f | h1 | h2 | h3 | t | n1 | n2 | m1 | m2 | s | 1~ | 3~ | | | | | | | | | |
| Fm 32/160C | F 32/160C | 50 | 32 | 80 | 419 | 132 | 160 | 292 | 240 | 245 | 190 | 100 | 70 | 14 | 32.6 | 32.3 | | | | | | | | | |
| Fm 32/160B | F 32/160B | | | | 448/432 | | | | | | | | | | 42.3 | 35.2 | | | | | | | | | |
| - | F 32/160A | | | | 448 | | | | | | | | | | - | 38.7 | | | | | | | | | |
| - | F 32/200C | | | | 469 | | | | | | | | | | - | 46.3 | | | | | | | | | |
| - | F 32/200B | | | | 515 | | | | | | | | | | - | 51.8 | | | | | | | | | |
| - | F 32/200A | | | 515 | 160 | 180 | 340 | 273 | 95 | | | 70 | - | | 56.9 | | | | | | | | | | |
| - | F 32/200BH | | | 469 | - | 42.0 | | | | | | | | | | | | | | | | | | | |
| - | F 32/200AH | | | 469 | - | 45.8 | | | | | | | | | | | | | | | | | | | |
| - | F 32/250C | | | 606 | 180 | 225 | 405 | 325 | 320 | | | 250 | 125 | | 95 | - | 105.5 | | | | | | | | |
| - | F 32/250B | | | 701 | - | 103.2 | | | | | | | | | | | | | | | | | | | |
| - | F 32/250A | 701 | - | 121.0 | | | | | | | | | | | | | | | | | | | | | |
| Fm 40/125C | F 40/125C | 65 | 40 | 80 | 421 | 112 | 140 | 252 | 244 | 210 | 160 | 100 | 70 | 14 | 31.5 | 29.9 | | | | | | | | | |
| Fm 40/125B | F 40/125B | | | | 441 | | | | | | | | | | 33.0 | 32.4 | | | | | | | | | |
| - | F 40/125A | | | | 439 | | | | | | | | | | - | 32.6 | | | | | | | | | |
| Fm 40/160C | F 40/160C | | | | 448 | | | | | | | | | | 132 | 160 | 292 | 241 | 240 | 190 | 100 | 70 | - | 38.3 | 33.4 |
| - | F 40/160B | | | | 465 | | | | | | | | | | - | 38.9 | | | | | | | | | |
| - | F 40/160A | | | 465 | 160 | 180 | 340 | 277 | 265 | | | 212 | - | | 43.6 | | | | | | | | | | |
| - | F 40/200B | | | 535 | 160 | 180 | 340 | 277 | 265 | | | 212 | - | | 53.0 | | | | | | | | | | |
| - | F 40/200A | | | 606 | - | 59.0 | | | | | | | | | | | | | | | | | | | |
| - | F 40/250C | | | 606 | 180 | 225 | 405 | 329 | 320 | | | 250 | 125 | | 95 | - | 104.0 | | | | | | | | |
| - | F 40/250B | | | 701 | - | 104.0 | | | | | | | | | | | | | | | | | | | |
| - | F 40/250A | 701 | - | 120.0 | | | | | | | | | | | | | | | | | | | | | |
| Fm 50/125C | F 50/125C | 65 | 50 | 100 | 465/451 | 132 | 160 | 292 | 242 | 240 | 190 | 100 | 70 | 14 | 36.8 | 35.1 | | | | | | | | | |
| - | F 50/125B | | | | 465 | | | | | | | | | | - | 38.5 | | | | | | | | | |
| - | F 50/125A | | | | 484 | | | | | | | | | | - | 42.8 | | | | | | | | | |
| - | F 50/160C | | | | 489 | | | | | | | | | | 180 | 340 | 273 | 265 | 212 | 100 | 70 | - | 47.3 | | |
| - | F 50/160B | | | | 535 | | | | | | | | | | - | 52.8 | | | | | | | | | |
| - | F 50/160A | | | 535 | 160 | 180 | 340 | 273 | 265 | | | 212 | - | | 57.6 | | | | | | | | | | |
| - | F 50/200C | | | 616 | 160 | 180 | 340 | 273 | 265 | | | 212 | - | | 100.0 | | | | | | | | | | |
| - | F 50/200B | | | 711 | 200 | 360 | 316.5 | 265 | 212 | | | - | 115.0 | | | | | | | | | | | | |
| - | F 50/200A | | | 743 | - | 127.2 | | | | | | | | | | | | | | | | | | | |
| - | F 50/200AR | | | 743 | - | 141.0 | | | | | | | | | | | | | | | | | | | |
| - | F 50/250D | 605 | - | 104.2 | | | | | | | | | | | | | | | | | | | | | |
| - | F 50/250C | 605 | 180 | 225 | 405 | 333 | 320 | 250 | - | 105.0 | | | | | | | | | | | | | | | |
| - | F 50/250B | 701 | 180 | 225 | 405 | 333 | 320 | 250 | - | 121.0 | | | | | | | | | | | | | | | |
| - | F 50/250A | 733 | - | 134.2 | | | | | | | | | | | | | | | | | | | | | |
| - | F 50/250AR | 733 | - | 147.0 | | | | | | | | | | | | | | | | | | | | | |
| - | F 65/125C | 511 | - | 53.2 | | | | | | | | | | | | | | | | | | | | | |
| - | F 65/125B | 557 | 160 | 180 | 340 | 292 | 280 | 212 | 125 | 95 | - | 58.3 | | | | | | | | | | | | | |
| - | F 65/125A | 557 | - | 63.0 | | | | | | | | | | | | | | | | | | | | | |
| - | F 65/160C | 620 | 200 | 360 | 295 | 280 | 212 | 125 | 95 | - | 98.5 | | | | | | | | | | | | | | |
| - | F 65/160B | 716 | - | 100.2 | | | | | | | | | | | | | | | | | | | | | |
| - | F 65/160A | 716 | 200 | 360 | 295 | 280 | 212 | 125 | 95 | - | 114.0 | | | | | | | | | | | | | | |
| - | F 65/200B | 718 | - | 119.3 | | | | | | | | | | | | | | | | | | | | | |
| - | F 65/200A | 718 | - | 132.1 | | | | | | | | | | | | | | | | | | | | | |
| - | F 65/200AR | 751 | - | 145.3 | | | | | | | | | | | | | | | | | | | | | |
| - | F 80/160D | 652 | 180 | 225 | 405 | 336 | 320 | 250 | - | 103.1 | | | | | | | | | | | | | | | |
| - | F 80/160C | 747 | - | 120.0 | | | | | | | | | | | | | | | | | | | | | |
| - | F 80/160B | 747 | 330 | - | 133.8 | | | | | | | | | | | | | | | | | | | | |
| - | F 80/160A | 779 | - | 144.0 | | | | | | | | | | | | | | | | | | | | | |
| - | F 100/160C | 760 | 180 | 225 | 405 | 382 | 360 | 280 | 160 | 120 | 18 | - | 141.2 | | | | | | | | | | | | |
| - | F 100/160B | 790 | 200 | 280 | 480 | 382 | 360 | 280 | 160 | 120 | 18 | - | 150.3 | | | | | | | | | | | | |
| - | F 100/160A | 790 | - | 164.0 | | | | | | | | | | | | | | | | | | | | | |

DIMENSIONES Y PESOS:



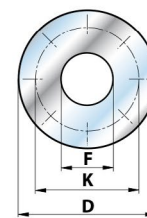
| MODELO | DIMENSIONES mm | | | | | | | | | | | | | | kg |
|------------|----------------|-----|-----|------|-----|-----|-----|----|-----|-----|-----|-------|-----|------|-------|
| | Trifásica | DN1 | DN2 | a | f | h1 | h2 | h3 | c | t | n1 | n2 | w | m | |
| F 65/250C | 80 | 65 | 100 | 796 | 201 | 250 | 451 | 16 | 363 | 360 | 318 | 269.5 | 305 | 18.5 | 208.0 |
| F 65/250B | | | | 847 | | | | | | | | | | | 226.0 |
| F 65/250A | | | | 847 | | | | | | | | | | | 246.2 |
| F 80/200B | 100 | 80 | 125 | 824 | 250 | 280 | 450 | 26 | 360 | 490 | 400 | 294 | 350 | 24 | 197.4 |
| F 80/200A | | | | 875 | | | | | | | | | | | 223.0 |
| F 80/250B | | | | 872 | | | | | | | | | | | 240.0 |
| F 80/250A | 125 | 100 | 140 | 1015 | 250 | 280 | 620 | 55 | 490 | 485 | 406 | 313 | 350 | 24 | 547.0 |
| F 100/200C | | | | 826 | | | | | | | | | | | 214.4 |
| F 100/200B | | | | 875 | | | | | | | | | | | 234.2 |
| F 100/200A | 125 | 100 | 140 | 877 | 201 | 280 | 481 | 0 | 391 | 360 | 318 | 271 | 305 | 18.5 | 232.8 |
| F 100/250B | | | | 877 | | | | | | | | | | | 551.2 |
| F 100/250A | | | | | | | | | | | | | | | 544.3 |

BRIDAS DE LAS BOCAS:



| DN BRIDAS mm | D mm | K mm | ORIFICIOS | |
|-----------------|---------|---------|-----------|--------|
| | | | N° | Ø (mm) |
| 32 | 140 | 100 | 4 | 18 |
| 40 | 150 | 110 | | |
| 50 | 165 | 125 | | |
| 65 | 185 | 145 | | |
| 80 | 200 | 160 | 8 | 18 |
| 100 | 220 | 180 | | |
| 125 | 250 | 210 | | |

CONTRABRIDAS (se puede pedir a parte):



| DN BRIDAS mm | F CONTRABRIDAS | D mm | K mm | ORIFICIOS | |
|-----------------|-------------------|---------|---------|-----------|--------|
| | | | | N° | Ø (mm) |
| 32 | 1 1/4" | 140 | 100 | 4 | 18 |
| 40 | 1 1/2" | 150 | 110 | | |
| 50 | 2" | 165 | 125 | | |
| 65 | 2 1/2" | 185 | 145 | | |
| 80 | 3" | 200 | 160 | 8 | 18 |
| 100 | 4" | 220 | 180 | | |
| 125 | 5" | 250 | 210 | | |