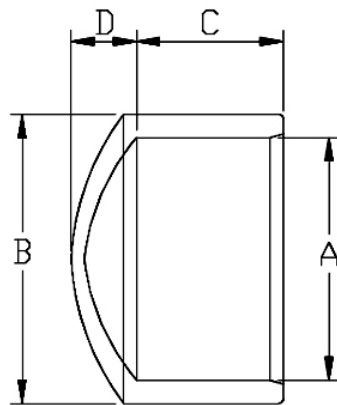


TAPÓN HEMBRA ENCOLAR

- Material: PVC
- Color: gris



DIMENSIONES:



Código	A	B	C	D	PN	Peso (gr)
AS 04 295	16	22	15	6	PN16	3
AS 04 256	20	25	16	8	PN16	6
AS 04 257	25	32	19	9	PN16	12
AS 04 258	32	40	22	10	PN16	21
AS 04 259	40	50	26	12	PN16	39
AS 04 296	50	63	31	15	PN16	80