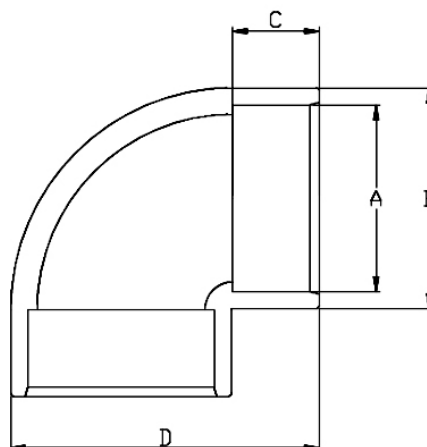


CODO 90° HEMBRA ENCOLAR

- Material: PVC
- Color: gris



DIMENSIONES:



Código	A	B	C	D	Peso (gr)	PN
AS 04 231	16	22	15	35	11,4	PN16
AS 04 232	20	27	16	41	15	PN16
AS 04 233	25	33	19	50	30	PN16
AS 04 234	32	41	22	61	53	PN16
AS 04 235	40	50	26	74	92	PN16