

## ACCESORIOS COBRE SANITARIO

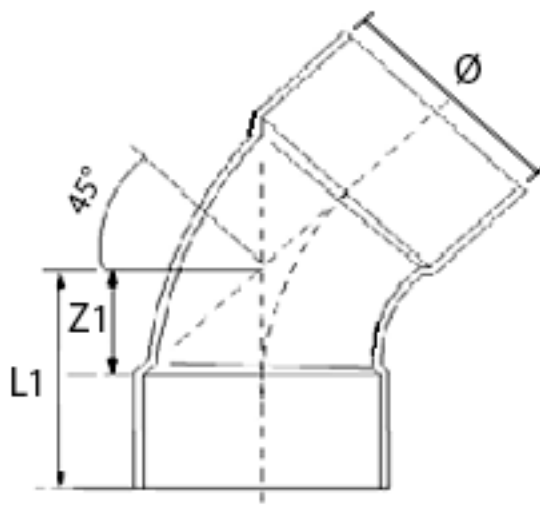
### DESCRIPCIÓN

Curva 45° hembra-hembra

Figura 5041



### DIMENSIONES (mm)



Código	Z1	L1	Ø
CU02041	4,0	12,0	10,0
CU02042	5,0	14,0	12,0
CU02044	6,0	17,0	15,0
CU02046	7,0	20,0	18,0
CU02047	9,0	25,0	22,0
CU02048	10,0	29,0	28,0
CU02049	14,0	37,0	35,0
CU02050	15,0	42,0	42,0
CU02051	20,0	52,0	54,0
CU02493	37,5	70,0	64,0
CU02494	36,5	70,0	67,0
CU02507	56,5	90,0	76,0
CU02508	64,5	112,0	108,0