

ACCESORIOS COBRE SANITARIO

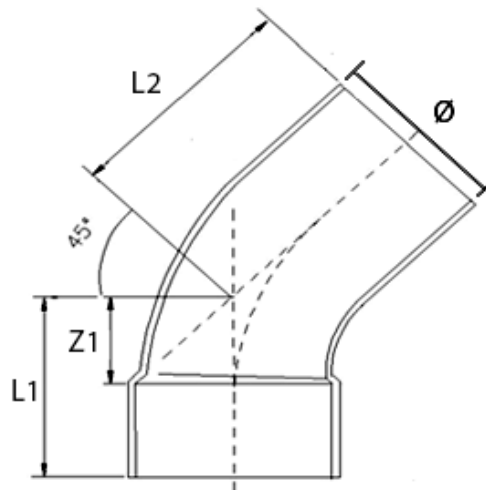
DESCRIPCIÓN

Curva 45° macho-hembra

Figura 5040



DIMENSIONES (mm)



Código	Z1	L1	L2	Ø
CU02053	4,0	12,0	14,0	10,0
CU02052	5,0	14,0	16,0	12,0
CU02055	5,0	15,0	18,0	14,0
CU02054	6,0	17,0	19,0	15,0
CU02056	7,0	20,0	20,0	18,0
CU02057	9,0	25,0	25,0	22,0
CU02058	10,0	29,0	29,0	28,0
CU02059	14,0	37,0	37,0	35,0
CU02060	15,0	42,0	42,0	42,0
CU02061	20,0	52,0	54,0	54,0
CU02492	36,5	70,0	70,0	67,0