

ACCESORIOS COBRE SANITARIO

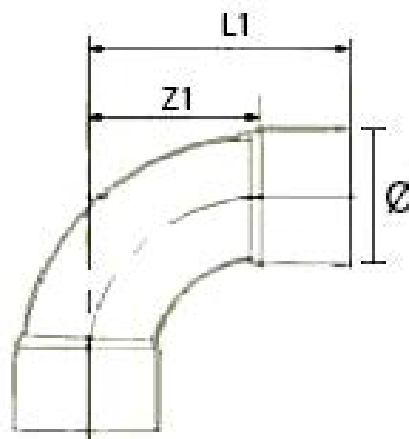
DESCRIPCIÓN

Curva 90° hembra-hembra

Figura 5002



DIMENSIONES (mm)



Código	Z1	L1	Ø
CU02019	15,0	9,0	6,0
CU02020	17,0	10,0	8,0
CU02021	20,0	12,0	10,0
CU02022	23,0	14,0	12,0
CU02023	28,0	17,0	14,0
CU02024	29,0	18,0	15,0
CU02026	32,0	19,0	18,0
CU02027	40,0	24,0	22,0
CU02028	52,0	34,0	28,0
CU02029	63,0	40,0	35,0
CU02030	77,0	50,0	42,0
CU02031	97,5	65,0	54,0
CU02490	118,0	85,5	64,0
CU02491	118,0	84,5	67,0
CU02005	158,0	120,5	89,0