

ACCESORIOS COBRE SANITARIO

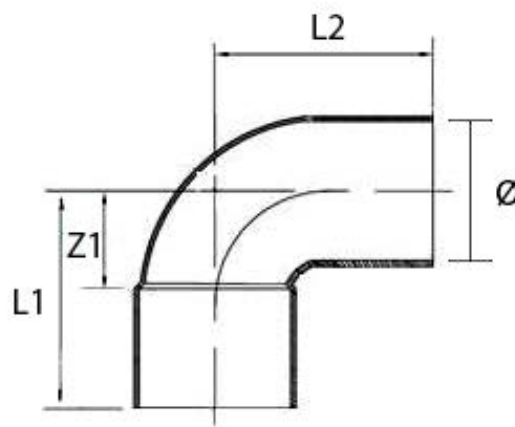
DESCRIPCIÓN

Codo 90° macho-hembra

Figura 5092



DIMENSIONES (mm)



Código	Z1	L1	L2	Ø
CU02141	10,0	18,0	19,0	10,0
CU02142	11,0	20,0	21,0	12,0
CU02144	11,0	22,0	24,0	15,0
CU02146	12,0	25,0	26,0	18,0
CU02147	14,0	30,0	32,0	22,0
CU02148	17,0	35,0	38,0	28,0
CU02149	23,0	46,0	48,0	35,0
CU02150	30,0	57,0	57,0	42,0
CU02151	37,0	69,0	75,0	54,0