

SUPLEMENTO PARA GRIFO M-H CROMADO

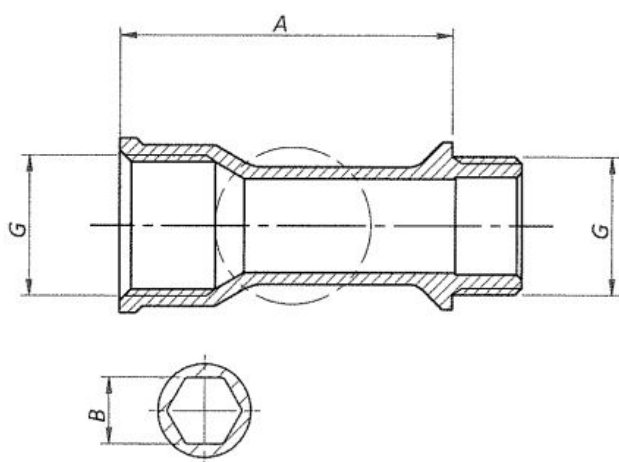
MATERIAL

UNE-EN 12165 CW617N (1)

UNE-EN 1982 CB753S (2)

ROSCA

ISO 228



| Código | Dimensiones | G | A | B | Material |
|---------|--------------|-------|-----|----------|----------|
| AA25295 | 1/2" x 3 cm | G 1/2 | 30 | Exag. 12 | 1 |
| AA25296 | 1/2" x 5 cm | G 1/2 | 50 | Exag.12 | 1 |
| AA25297 | 1/2" x 8 cm | G 1/2 | 80 | - | 2 |
| AA25298 | 1/2" x 10 cm | G 1/2 | 100 | - | 2 |