

## RACOR DEPÓSITO URALITA CON TUERCA

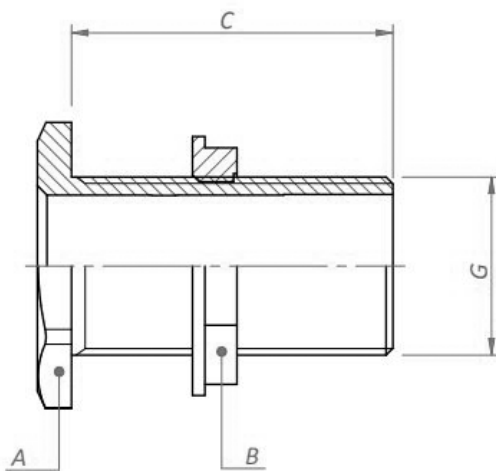
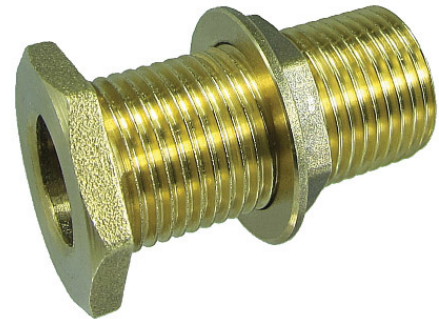
### MATERIAL

UNE-EN 12165 CW617N (1)

UNE-EN 1982 CB753S (2)

### ROSCA

ISO 228



Código	Dimensiones	G	A	B	C	Material racor-tuerca
AA25240	3/8"	G3/8	hex 22	hex 20	38	1
AA25242	1/2"	G1/2	hex 28	hex 23	43	1
AA25243	3/4"	G3/4	hex 37	hex 30	46	1
AA25244	1"	G1	hex 42	hex 36	47	1
AA25245	1 1/4"	G1 1/4	hex 52	hex 45	56	1
AA25246	1 1/2"	G1 1/2	hex 60	hex 51	58	1
AA25247	2"	G2	hex 73	hex 64	70	1-2
AA25248	3"	G3	octog.115	octog.97	90	1-2