

TE ROSCA HEMBRA

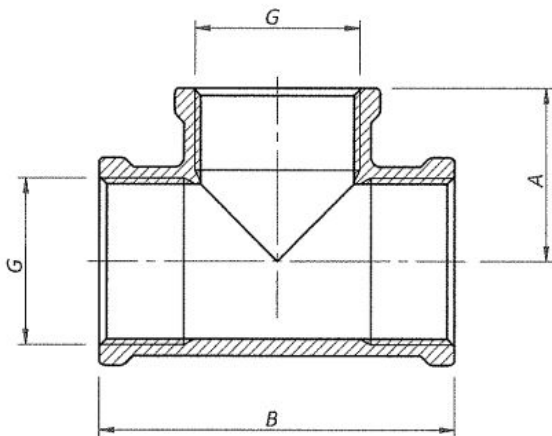
MATERIAL

UNE-EN 12165 CW617N (1)

UNE-EN 12164 CW614N (2)

ROSCA

ISO 228



| Código | Dimensiones | G1 | A | B | Material |
|---------|-------------|---------|------|-----|----------|
| AA25055 | 1/4" | G 1/4 | 17,5 | 35 | 1 |
| AA25121 | 3/8" | G 3/8 | 20,5 | 41 | 1 |
| AA25122 | 1/2" | G 1/2 | 23 | 46 | 1 |
| AA25123 | 3/4" | G 3/4 | 27,5 | 57 | 1 |
| AA25124 | 1" | G 1 | 34 | 70 | 1 |
| AA25125 | 1 1/4" | G 1 1/4 | 41 | 82 | 1 |
| AA25126 | 1 1/2" | G 1 1/2 | 43 | 86 | 1 |
| AA25127 | 2" | G 2 | 56,5 | 113 | 2 |